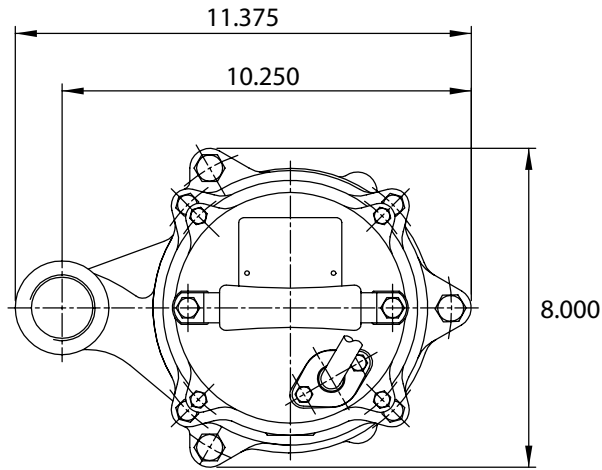
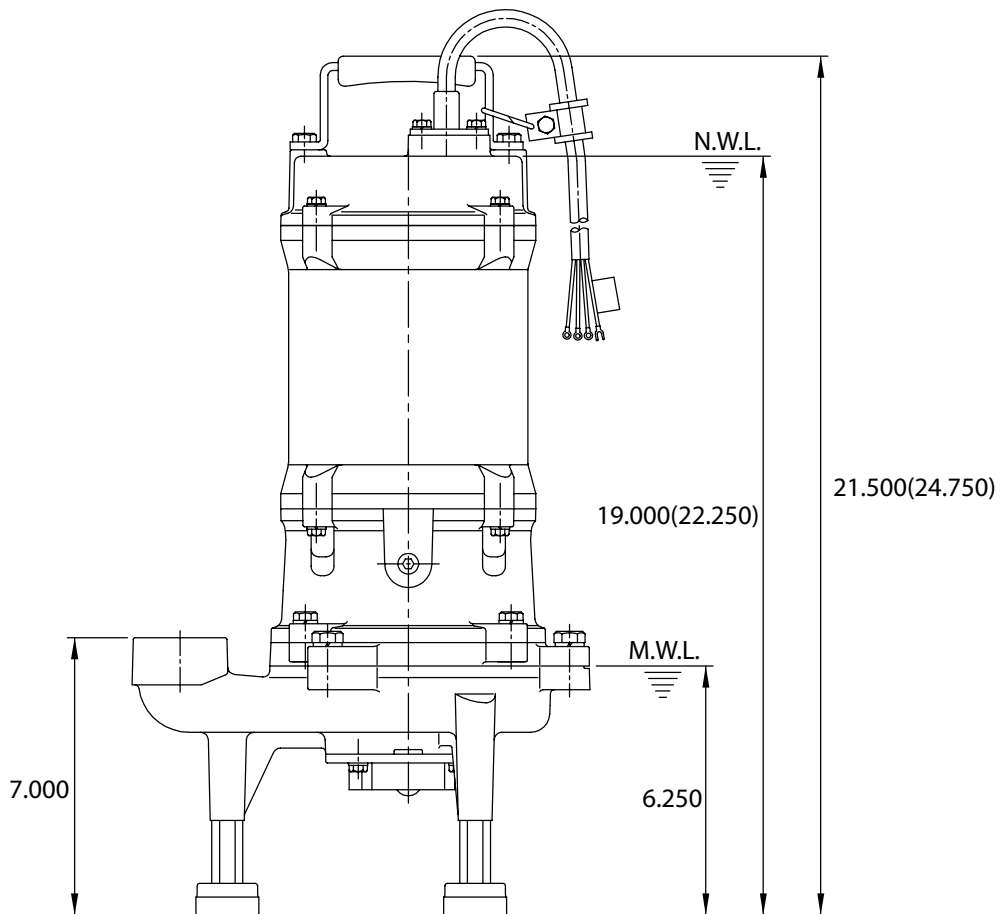


SGV-1.25-XX-20; SGV-1.25A-XX-20; SGV-1.25-XX-30

Pump Dimensions



Single phase dimensions ( )  
N.W.L.: Normal water level  
M.W.L.: Minimum water level



All dimensions are in inches unless otherwise noted.